

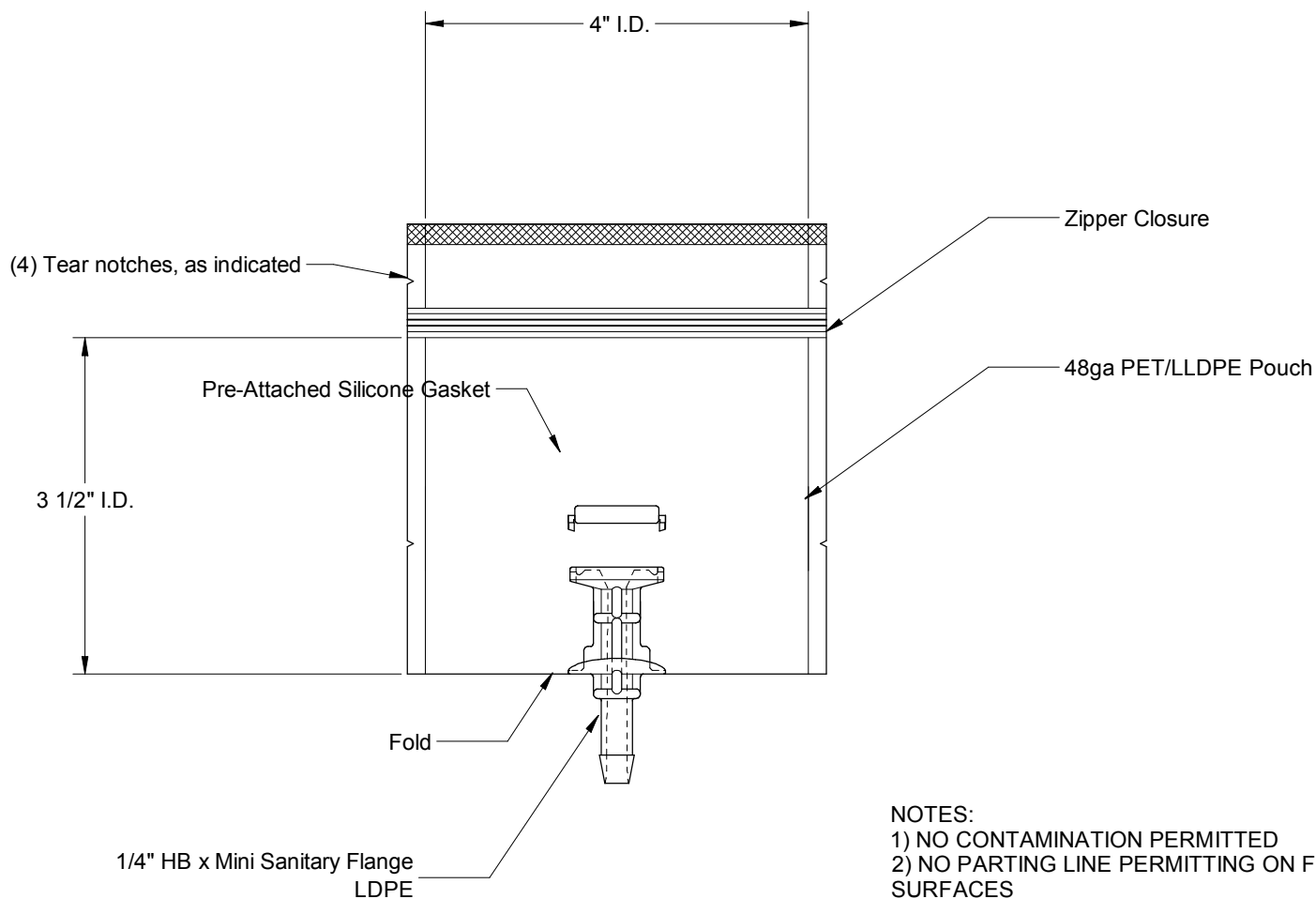
4

3

2

1

| REVISIONS (INDICATED BY:) ▲ | | | |
|------------------------------|------|------|-------|
| REV | DATE | DCR# | TITLE |
| | | | |



NOTES:

- 1) NO CONTAMINATION PERMITTED
- 2) NO PARTING LINE PERMITTING ON FLUID SEALING SURFACES
- 3) PARTS MUST BE MOLDED AND ASSEMBLED IN A CLEANROOM ENVIRONMENT

| DRAWN BY | DATE | DWG NO | REV | SHEET | SCALE | SHEET SIZE |
|--|--------------|------------------|-----|--------|-------|------------|
| B. Willemstyn | Nov 25, 2008 | 2G-408-TC-4X4.dc | 1 | 1 OF 1 | | A |
| TITLE | | | | | | A |
| SterilEnz 1/4" HB x 1/2" Mini 2G-408-TC-4X4 | | | | | | |

UNLESS OTHERWISE SPECIFIED:

1. ALL DIMENSIONS ARE IN INCHES
2. DO NOT SCALE DRAWING
3. REMOVE ALL BURRS AND SHARP EDGES TO .015 MAX.
4. MACHINED SURFACE TO BE 125 MICRO-INCHES

5. TOLERANCES ON:
XX DECIMALS %%P .02
XXX DECIMALS %%P .005
ANGLES %%P 1%°D

THIS DRAWING AND THE INFORMATION CONTAINED
HEREIN ARE CONFIDENTIAL AND PROPRIETARY TO
PAW BIOSCIENCE AND ARE TO BE USED
ONLY FOR PURPOSES FOR WHICH THEY ARE
FURNISHED AND ARE NOT TO BE COPIED, REPR
DUCED, DUPLICATED, OR DISCLOSED TO OTHERS IN
WHOLE OR IN PART WITHOUT THE PRIOR WRITTEN
CONSENT OF PAW BIOSCIENCE, INC.



PAW BioScience Products

4

3

2

1

D

D

C

C

B

B

A

A