

4

3

2

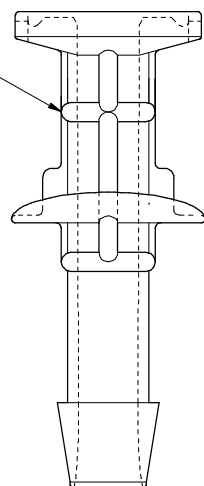
1

REVISIONS (INDICATED BY ▲)			
REV	DATE	DDR#	TITLE

Mini Gasket, medical grade silicone, USP Class VI, p/n DWG-0014, REV B.



SterilEnz-2AT Fitting, Mini Sanitary Polypropylene



1"/1.5" Gasket, medical grade silicone, USP Class VI, p/n 0008



SterilEnz-2AT Fitting 1"/1.5" Sanitary Polypropylene

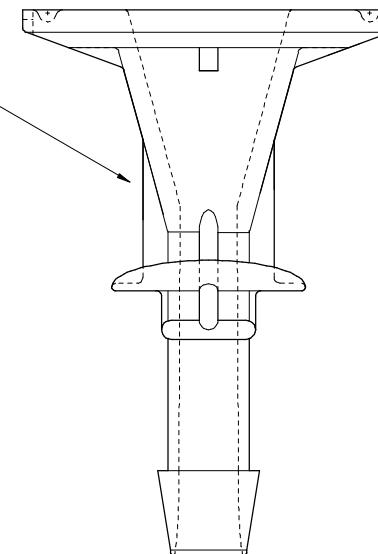


TABLE A

SterilEnz p/n	Fitting p/n	Description
2AT-408-TC-10	2AT-408-TC	1/4" HB x Mini-TC, Polypropylene, w/ Mini gasket
2AT-608-TC-10	2AT-608-TC	3/8" HB x Mini-TC, Polypropylene, w/ Mini gasket
2AT-812-TC-10	2AT-812-TC	1/2" HB x Mini-TC, Polypropylene, w/ Mini gasket
2AT-416-TC-10	2AT-416-TC	1/4" HB x 1"/1.5", Polypropylene, w/ 1"/1.5" gasket
2AT-616-TC-10	2AT-616-TC	3/8" HB x 1"/1.5", Polypropylene, w/ 1"/1.5" gasket
2AT-816-TC-10	2AT-816-TC	1/2" HB x 1"/1.5", Polypropylene, w/ 1"/1.5" gasket
2AT-1216-TC-10	2AT-1216-TC	3/4" HB x 1"/1.5", Polypropylene, w/ 1"/1.5" gasket

NOTES:

- 1) NO CONTAMINATION PERMITTED, VIRGIN MATERIAL ONLY.
- 2) NO PARTING LINE PERMITTING ON FLUID SEALING SURFACES
- 3) PARTS MUST BE MOLDED AND ASSEMBLED IN A CLEANROOM ENVIRONMENT
- 4) ALL GASKETS COME PREINSTALLED ON FITTINGS.

DRAWN BY B. Willemstyn	DATE Aug 19, 09	DWG NO DWG-0036	REV 1	SHEET 1 OF 1	SCALE	SHEET SIZE A
TITLE SterilEnz-2AT Fittings - Polypropylene 1/4", 3/8", 1/2" , & 3/4" HB x Sanitary Flange						A

THIS DRAWING AND THE INFORMATION CONTAINED HEREIN ARE CONFIDENTIAL AND PROPRIETARY TO PAW BIOSCIENCE AND ARE TO BE USED ONLY FOR PURPOSES FOR WHICH THEY ARE FURNISHED AND ARE NOT TO BE COPIED, REPRODUCED, DUPLICATED, OR DISCLOSED TO OTHERS IN WHOLE OR IN PART WITHOUT THE PRIOR WRITTEN CONSENT OF PAW BIOSCIENCE, INC.



PAW BioScience Products

UNLESS OTHERWISE SPECIFIED:

1. ALL DIMENSIONS ARE IN INCHES
2. DO NOT SCALE DRAWING
3. REMOVE ALL BURRS AND SHARP EDGES TO .015 MAX.
4. MACHINED SURFACE TO BE 125 MICRO-INCHES

5. TOLERANCES ON:  
XX DECIMALS P.02  
XXX DECIMALS P.005  
ANGLES:

4

3

2

1