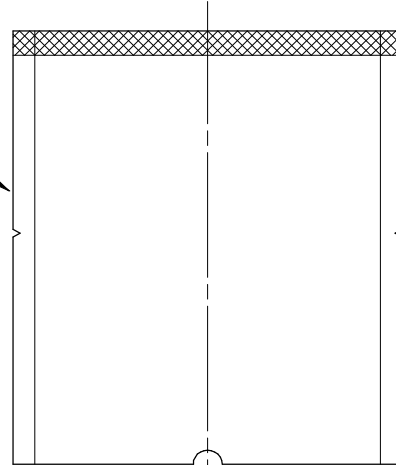


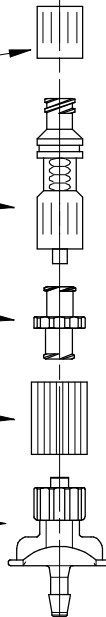
CONFIDENTIAL

REVISIONS (INDICATED BY) ▲			
REV	DATE	DCR#	TITLE

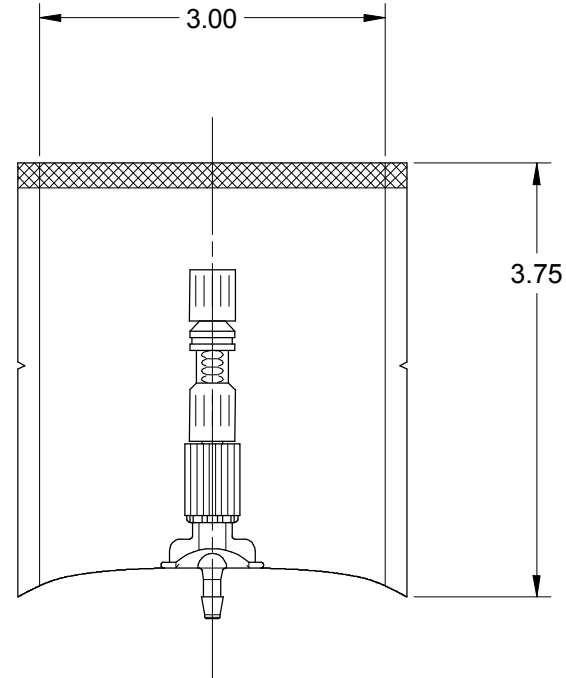
PET/LLDPE Pouch



- Male Luer Cap, Stemless
Polypropylene
Qosina 12084
- Injection Site
acrylic, polyurethane, silicone
P/N: 5000R
- Female Luer Coupler
Rad Stable PC
P/N: FTLLC-9002
- Anti-Slip Boot
Silicone
p/n CH-MLL-GASKET
- SterilEnz Fitting
Chevron HDPE 9018
P/N: CH-2-MLL



Exploded View



Assembled View

DRAWN BY B. Willemstyn	DATE Nov 24, 2008	DWG NO CH-2ML-PCSS-3X4.dc	REV	SHEET 1 OF 1	SCALE	SHEET SIZE A
TITLE SterilEnz Sampler 1/8" HB - SmartSite P/N CH-2ML-PCSS-3X4						

UNLESS OTHERWISE SPECIFIED:	
1. ALL DIMENSIONS ARE IN INCHES	5. TOLERANCES ON:
2. DO NOT SCALE DRAWING	XX DECIMALS %%P.02
3. REMOVE ALL BURRS AND SHARP EDGES TO .015 MAX.	XXX DECIMALS %%P.005
4. MACHINED SURFACE TO BE 125 MICRO-INCHES	ANGLES %%P1%%D

THIS DRAWING AND THE INFORMATION CONTAINED HEREIN ARE CONFIDENTIAL AND PROPRIETARY TO PAW BIOSCIENCE AND ARE TO BE USED ONLY FOR PURPOSES FOR WHICH THEY ARE FURNISHED AND ARE NOT TO BE COPIED, REPRODUCED, DUPLICATED, OR DISCLOSED TO OTHERS IN WHOLE OR IN PART WITHOUT THE PRIOR WRITTEN CONSENT OF PAW BIOSCIENCE, INC.



PAW BioScience Products